

# Durcor-62™

Composite  
Lap Joint Flanges



- STRONG AS STEEL
- 1/4 THE WEIGHT OF S.S.
- LOWER COST

**PureFlex**®  
Inc.

# Durcor-62

## PureFlex Advanced Technology

Durcor-62™ Lap Joint Flanges are manufactured from PureFlex proprietary advanced fiber reinforced composite. Durcor-62™ has tensile and compressive strengths that rival steel along with outstanding impact resistance that is unmatched in the industry. Its reinforcing fibers are long and interlocked, this interlocked reinforcement system transfers loads throughout the fiber matrix, making Durcor-62™ flanges virtually indestructible. The strength of Durcor-62™ enables the flanges to maintain CLASS 150 rating and ANSI B16.5 dimensions and allows it to be installed in any type of piping system without the need for special considerations. Durcor-62™ Flanges excel in temperatures from (-)60°F to 300°F and has only .001" of thermal expansion across its full temperature range.

- Tensile strength of 50,000psi per ASTM D-638 or 358 Mpa
- Notched Izod impact strength of 30 ft. lb/inch per ASTM D-256 or 1760 J/M are achieved.

### Tensile strength comparison

**Steel 60,000psi**

**Durcor-62™ 50,000psi**

**STD. FRP 12,000psi**



## Superior Performance

Durcor-62™ vinyl ester resin backbone provides excellent protection when exposed to aggressive chemicals and hostile atmospheres such as acid sprays, bleach, salt water and high chlorides. Durcor-62™ Flanges out-perform stainless and ductile iron flanges not only in corrosive environments but non-corrosive as well. Its lightweight advantage reduces the need for heavier support structures for hanging, eliminates the need for extra equipment and personnel for pipe and fitting installation and reduces pipe strain once installed. Durcor-62™ Flanges are so dependable and maintenance free that we offer the industries first "no questions asked" 10 year limited warranty. Contact PureFlex or your local distributor for details.

LIMITED

**10**  
YEAR  
WARRANTY

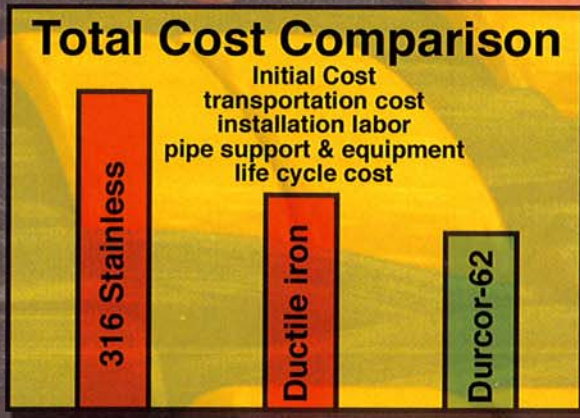


# PureFlex™ Flanges

## Features Of Durcor-62™ Flanges

- Strong As Steel
- 1/4 The Weight Of Stainless
- Class 150 Rated
- ANSI B16.5
- (-)60°F to (+)300°F
- Lower Cost Than 316s.s.
- Lower Transportation Cost
- Lower Installed Cost
- Lower Life Cycle Cost
- Zero Corrosion Rate
- 10 Year Warranty

PTFE lined Tee is 1/3 the weight with Durcor-62™ Flanges



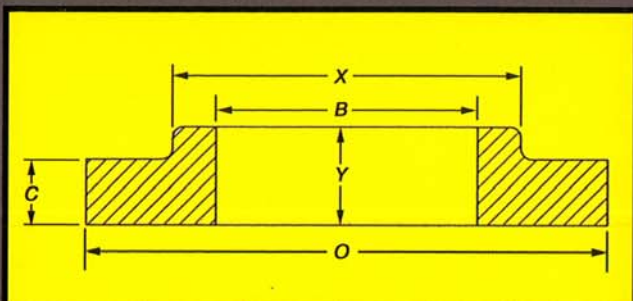
Weight ( lbs )  
Comparison

	1"	1 1/2"	2"	3"	4"	6"
Stainless Steel	2.00	3.50	5.00	10.00	13.00	17.00
Durcor-62™	0.50	0.85	1.20	2.50	3.25	4.25

**The strongest, lightest, most chemically resistant flange in the world**

# Specify Durcor-62™ Flanges On All Your Piping And Hoses

## Dimensional Data



Size (In.)	O (In.)	C (In.)	X (In.)	Y (In.)	B (In.)
1	4.25	.56	1.94	.69	1.38
1 1/2	5.00	.69	2.56	.88	1.97
2	6.00	.75	3.06	1.00	2.46
3	7.50	.94	4.25	1.19	3.60
4	9.00	.94	5.31	1.31	4.60
6	11.00	1.00	7.56	1.56	6.75

## How To Order

### EXAMPLE:

2" Durcor-62™ Lap Joint, CLASS 150 Flange

Part Number = **FLG - 032 - L - 1**



## How To Specify

### 1. Scope

1.1 The following product specifications applies to "FLANGES" for piping, fittings and hoses. Flanges shall be rated for 275 psi continuous service and have a operating temperature range of (-)60°F. to (+) 300°F.

1.2 It is recommended that you check chemical compatibility with your material selections of any flange.

### 2. Flange

2.1 Flange shall be manufactured from vinyl ester and fiberglass composite.

2.2 The flange shall meet ASME/ANSI B16.5 and be CLASS 150 pressure rated

2.3 Flange shall have a nominal notched izod impact strength of 30ft. lb. per inch or 1760 J/M

2.4 Flange shall have a nominal tensile strength of 50,000psi as per ASTM D-256

### 3. Flange Manufacturer

3.1 Flange shall be manufactured by PureFlex, Inc.  
4855 Broadmoor Ave., Kentwood, MI 49512  
Phone 616-554-1100, Fax 616-554-3633,  
www.pureflex.com

PUREFLEX, INC. INFORMATION IS BASED ON TECHNICAL DATA AND TESTING THAT PUREFLEX BELIEVES TO BE RELIABLE AND IS SUBJECT TO CHANGE WITHOUT NOTICE. THE INFORMATION IS INTENDED FOR USE BY PERSONS HAVING TECHNICAL SKILL, AT THEIR OWN DISCRETION AND RISK. SINCE CONDITIONS OF OF PRODUCT ARE OUTSIDE OF PUREFLEX, INC CONTROL, PUREFLEX, INC MAKES NO WARRANTIES, EXPRESS OR IMPLIED, AND ASSUMES NO LIABILITY IN CONNECTION WITH ANY USE OF THIS INFORMATION. PUREFLEX™, TASK-LINE™ AND DURCOR-62™ ARE TRADEMARKS OF PUREFLEX, INC. HASTELLOY IS A REGISTERED TRADEMARK OF HAYNES INTL.



**PureFlex™**  
Inc.

ANDRONACO  
INDUSTRIES

4855 Broadmoor Ave.  
Kentwood, MI. 49512

PH 616.554-1100 Fax 616-554-3633  
www.pureflex.com

FLG-0505.0807